

NAME

HOPPER FEEDER 20 L

REFERENCE

11260

PRODUCT FEATURES

MATERIAL

POLYPROPYLENE

COLOR

RED - WHITE

WEIGHT

2,270 kg

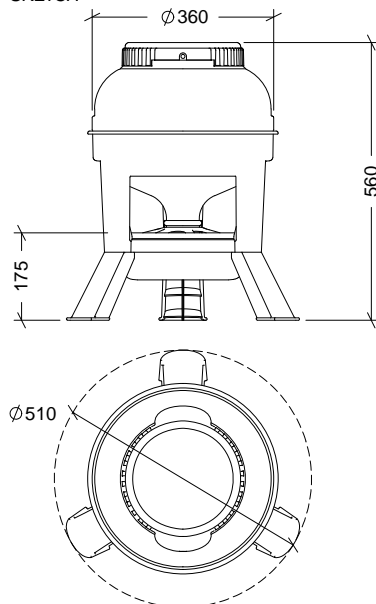
VOLUME

20 l

ACCESORIES

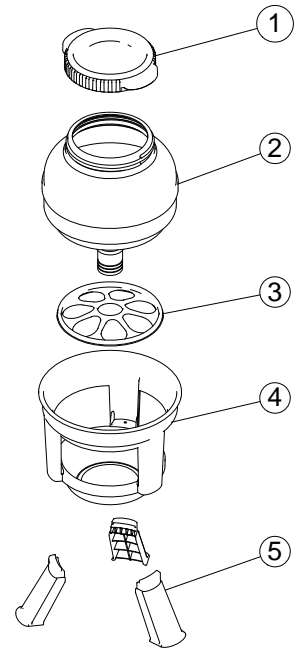


SKETCH



SECTIONAL

Nº	DESCRIPTION
1	LID
2	CONTAINER
3	ANTIWASTE RING
4	SUPPORT PART
5	LEG



PACKAGING FEATURES

PACKAGING TYPE

CARDBOARD BOX

UNITS/PACKAGING

1 Unit

PACKING DIMENSIONS

375x375x495 mm

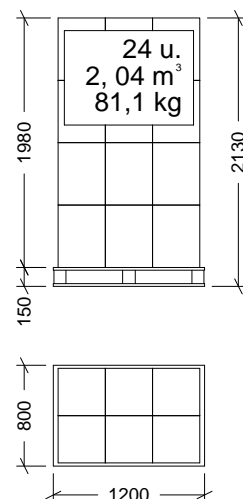
PACKING WEIGHT

2,880 kg

PACKING VOLUME

0,070 m³

EUROPALLET



EUROPALLET WEIGHT: 12 kg

AMERICAN PALLET WEIGHT: 24 kg