

PRODUCT NAME

PLASTIC POULTRY FEEDER 12 kg

REFERENCE

11170

MAIN FEATURES

MATERIAL

ANTI-UV POLYPROPYLENE

COLOR

RED

WEIGHT

1,150 kg

TYPE OF CLOSURE

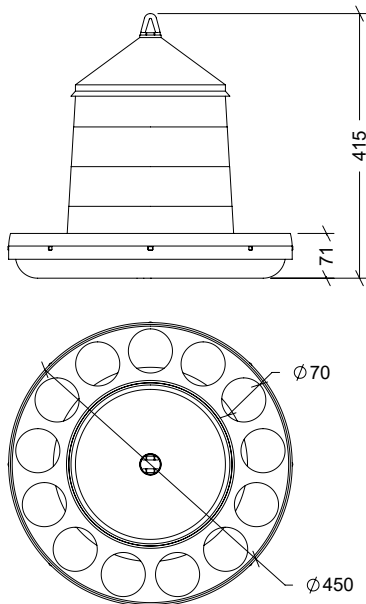
PRESSURE

ACCESSORIES

CORD AND HEIGHT ADJUSTER

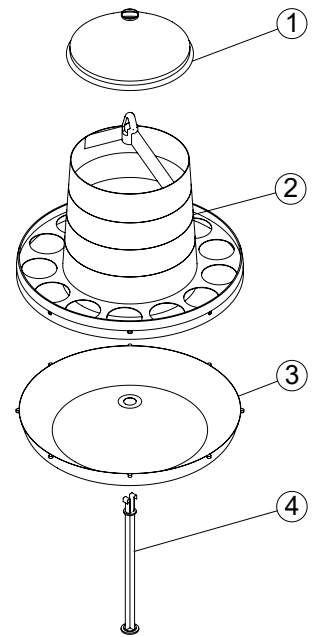


SKETCH



SPARE PARTS

N°	DESCRIPTION
1	LID
2	CONE
3	BASE
4	ROD



PACKAGING CHARACTERISTICS

PACKAGE TYPE

CARDBOARD BOX

QUANTITY

5 PIECES

DIMENSIONS

455x455x670 mm

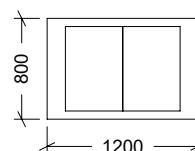
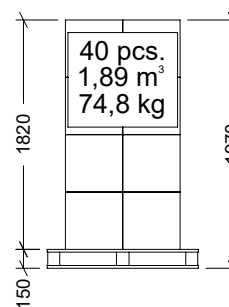
WEIGHT

7,850 kg

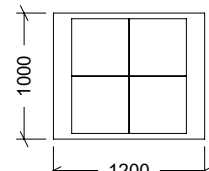
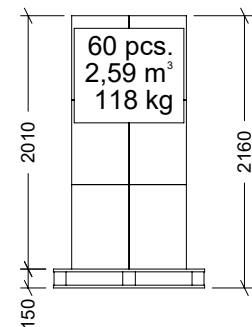
VOLUME

0,139 m³

EURO PALLET



AMERICAN PALLET



EURO PALLET WEIGHT: 12 kg

AMERICAN PALLET WEIGHT: 24 kg

Dimensions in mm