

NAME

**SIPHON DRINKER 20 L**

REFERENCE

**10890**

**PRODUCT FEATURES**

MATERIAL

POLYPROPYLENE

COLOR

BLUE - WHITE

WEIGHT

2,270 kg

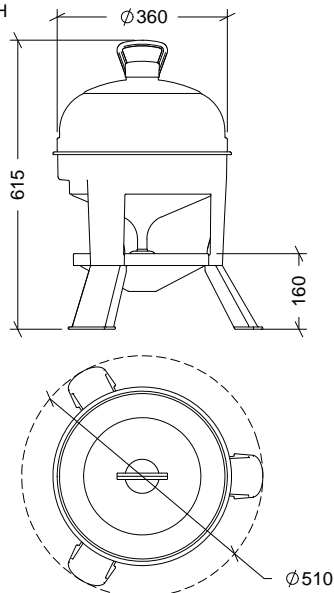
VOLUME

20 l

ACCESSORIES

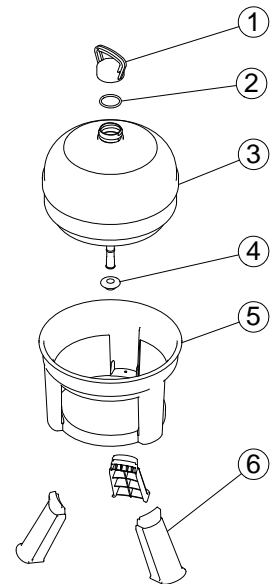


SKETCH



SECTIONAL

Nº	DESCRIPTION
1	CLOSING HANDLE
2	O-RING
3	CONTAINER
4	WATER SUPPLY PLUG
5	SUPPORT PART
6	LEG



**PACKAGING FEATURES**

PACKAGING TYPE

CARDBOARD BOX

UNITS/PACKAGING

1 Unit

PACKING DIMENSIONS

375x375x495 mm

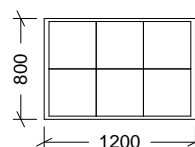
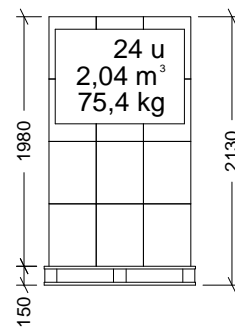
PACKING WEIGHT

2,640 kg

PACKING VOLUME

0,070 m<sup>3</sup>

EUROPALLET



**EUROPALLET WEIGHT: 12 kg**

**AMERICAN PALLET WEIGHT: 24 kg**